

## Ultrasonic Anemometer Gill WindMaster Pro

**S84800**

(P6032N / P6033N)

Windmaster Pro سنسور اولتراسونیک سه محور شرکت جیل مدل

کد سفارش

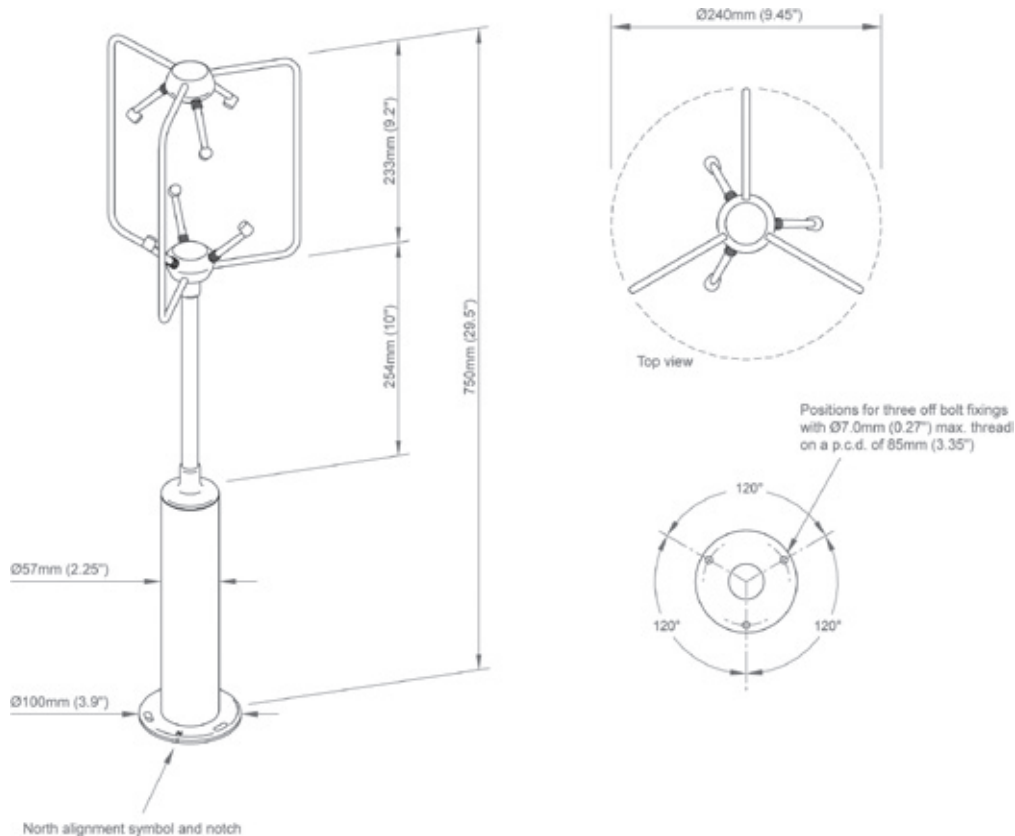
- 3-axis anemometer providing wind speed and direction data
- 0 ... 65m/s wind speed
- 0 ... 359° wind direction range (no dead band)
- U, V, and W vector outputs
- 32 Hz Data Output Rate
- Speed of sound and sonic temperature outputs
- Robust stainless-steel casing



### Description

The Gill WindMaster Pro is a precision anemometer offering three-axis wind measurement data. This instrument will monitor wind speeds of 0 ... 65m/s and provides sonic temperature, speed of sound and U, V & W vector outputs at 32 Hz as standard. The unit also features improved vertical (W) resolution and speed of sound accuracy and less distortion due to wind loading. Each WindMaster Pro is calibrated with a Gill wind tunnel test to provide optimum performance. Optional analogue inputs and outputs plus a PRT are available with 14 bit resolution.

This anemometer is of stainless steel external construction and is particularly suitable for precision wind measurement applications requiring 3-axis data involving high wind speeds.



## Ultrasonic Anemometer Gill WindMaster Pro

**S84800**  
(P6032N / P6033N)

Wind Speed	
Range	0 ... 65 m/s
Resolution	0.01 m/s
Accuracy*	<1.5% RMS @ 12 m/s or < 1% @ 12 m/s (Custom)
Wind Direction	
Range	0 ... 359°
Resolution	0.1°
Accuracy	2° @ 12 m/s or 0.5° @ 12 m/s (Custom)
Sonic Temperature	
Range	-40 ... +70°C
Resolution	0.01°C
Speed of Sound	
Range	300 ... 370 m/s
Resolution	0.01 m/s
Accuracy	< ±0.5% @ 20°C
Measurement	
Internal sample rate	32 Hz
Output parameters	1, 2, 4, 8, 10, 16, 20 & 32 Hz
Unit of measure	m/s, mph, kph, knots, ft/min
Formats	UVW, Polar or NMEA
Averaging	Flexible 0 ... 3600 seconds
Digital Output	
Communication	RS232, RS422, RS485
Baud rate	2400 ... 115200
Format	ASCII
Analog Outputs (Optional)	
Resolution 14 bit	4 channels available
Selectable range	User selectable full scale wind speed
Output type	0 ... 20mA, 4 ... 20mA, 0 ...5V, ±2.5V, ±5V
Analog Inputs	
Resolution 14 bit	Up to 4 single ended or 2 differential plus PRT 100 input
Input type	±5V
Miscellaneous	
Power requirements	Anemometer: 9 ... 30VDC (30mA @ 12VDC)
Size / Weight	750 x 240 mm / 1.7kg
Protection class	IP65
Operating temperature	-40 ... +70°C
Humidity	< 5% to 100% RH
Precipitation	300 mm/hr
EMC	BS EN 61000-6-3 (Emissions) BS EN 61000-6-2 (Immunity)
Manufacturer	Gill

\*Accuracy spec applies for wind speed and wind incidence up to ±30° from the horizontal

Last Modification: 31 October 2012